

Micro Switch (MSL-2A Series)



MSL-2A-MS-02

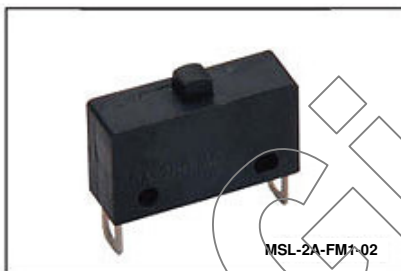
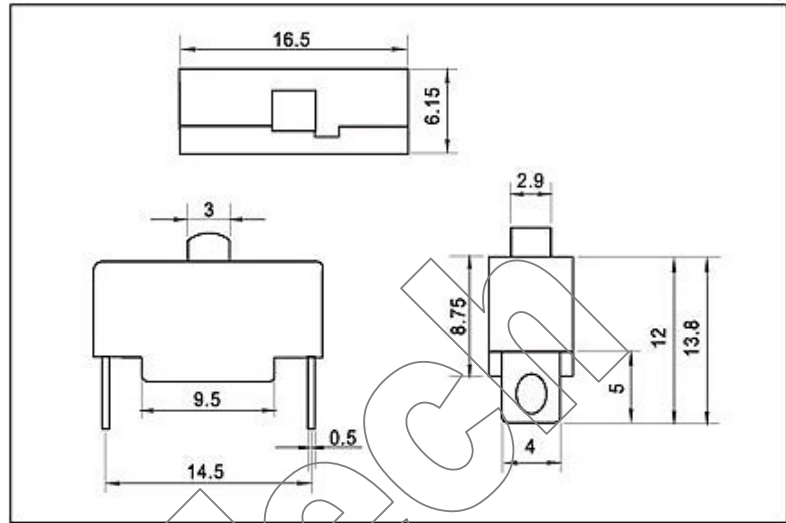
MSL- 2A-MS-02

SPECIFICATIONS

15A 125VAC / 7.5A 250VAC

10A 250VAC

ROHS Compliance



MSL-2A-FM1-02

MSL- 2A-FM1-11

SPECIFICATIONS

Single Pole; Single Throw

15A 125VAC / 7.5A 250VAC

8A 250VAC T85

Feature: Soldering Terminal

ROHS Compliance

